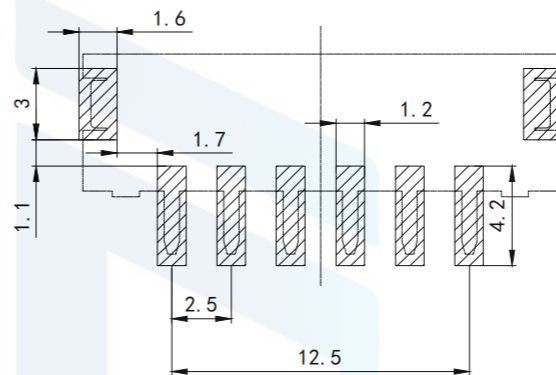
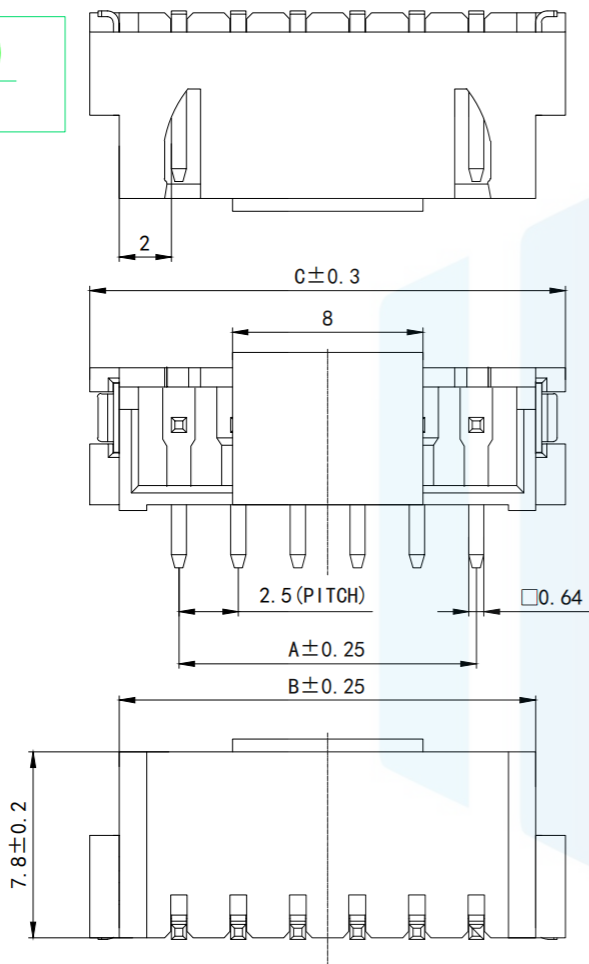
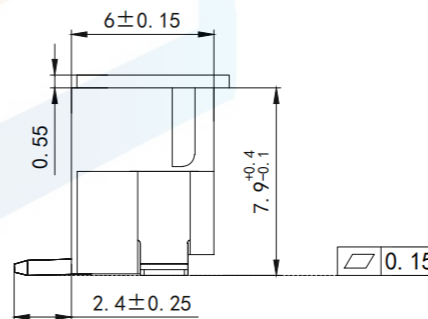


RoHS2.0
Compliant



P. C. B LAYOUT



孔数	型号	尺寸 (mm)		
		A	B	C
2	2.54-2ALT	2.5	7.5	10.0
3	2.54-3ALT	5.0	10.0	12.5
4	2.54-4ALT	7.5	12.5	15.0
5	2.54-5ALT	10.0	15.0	17.5
...
16	2.54-16ALT	37.5	42.5	45.0

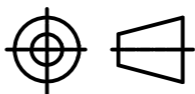
Specifications:

1. Current rating: 3A
2. Voltage rating: 250V AC, DC
3. Insulation Resistance: 1000M Min.
4. Dielectric Withstanding: 1000V AC 1Minne
5. Contact Resistance: 20m2 Max.
6. Operating Temperature: -25'C to +85C
7. Materials: Contact Material: Bronze (Sn plating)
8. Soldering Terminal: Bronze (Sn plating)
9. Insulation Material: LCP UL94V-0

TOLERANCE

X. XXX	±0.05
X. XX	±0.15
X. X	±0.20
X.	±0.30
ANGLE	±5.0°

PROTECTON



东莞市恒祺电子科技有限公司

Dongguan Hengqi Electronic Technology Co., Ltd

<https://www.hq-dz.com>

phone: 15812872448

TITLE:

针座

PART NO: XH-2.54立贴-XX

DRAWING NO: 2*2.54*针位

DRAWN:

CHECKED:

APPROVED:

DATE:

DATE:

DATE:

18-10-08

18-10-08

18-10-08

UNIT:
mm

SCALE:
FULL

SIZE:
A4